

Graf Zeppelin

**Legends:**

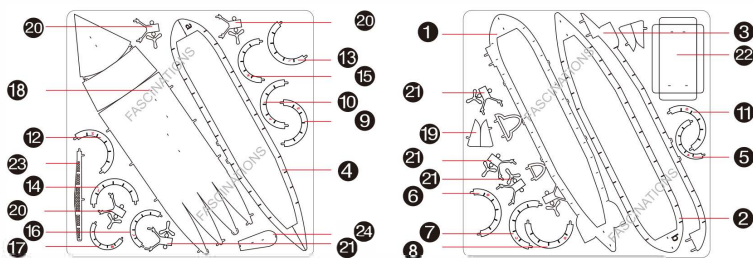
- E** Engraved side
- NE** Non-engraved side
- Attention point
- Insert tab and bend 90 degrees
- Insert tab and twist 90 degrees

**Recommended tools:**

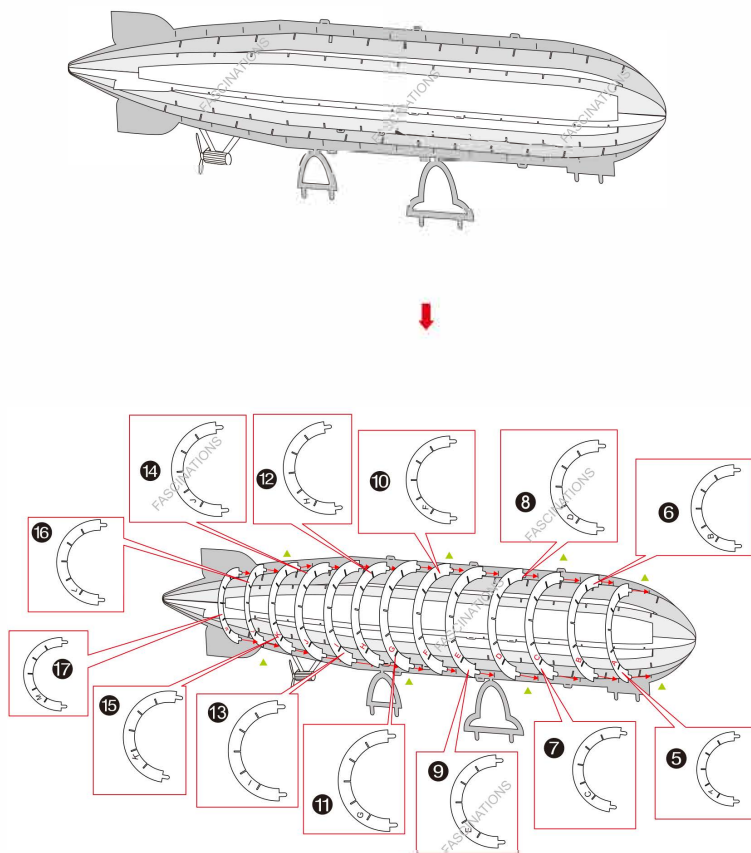
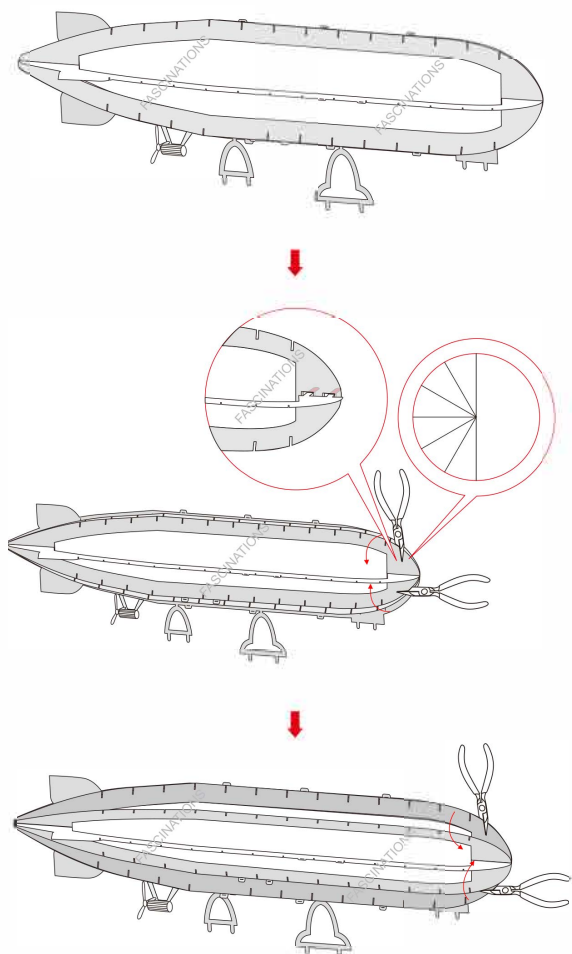
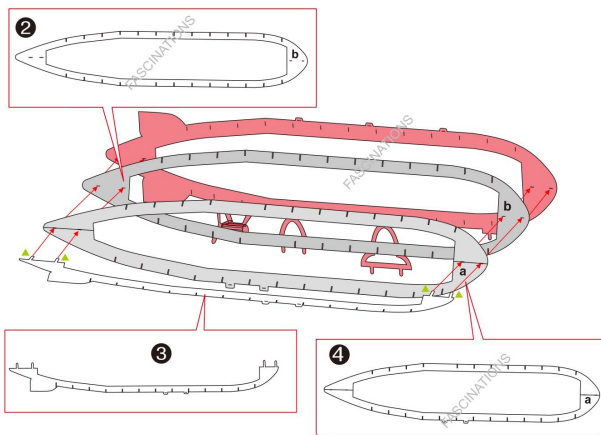
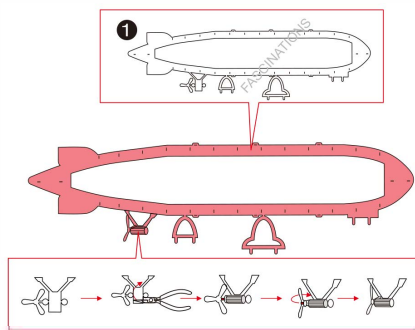
- Wire cutters: helpful for taking parts from the metal sheets.
- Tweezers or needle nose pliers: helpful for folding parts, bending and twisting tabs.

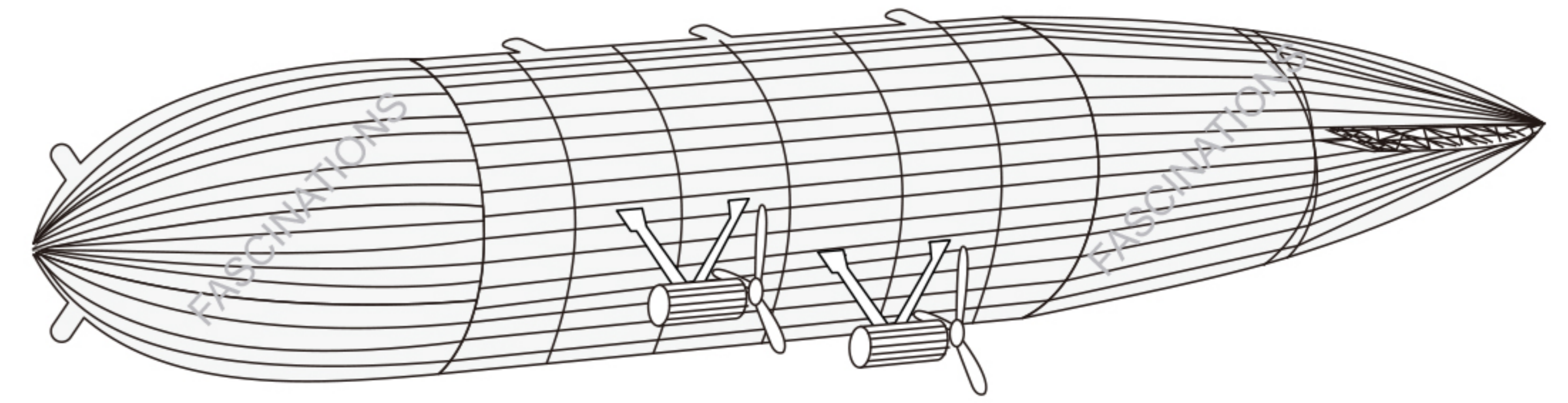
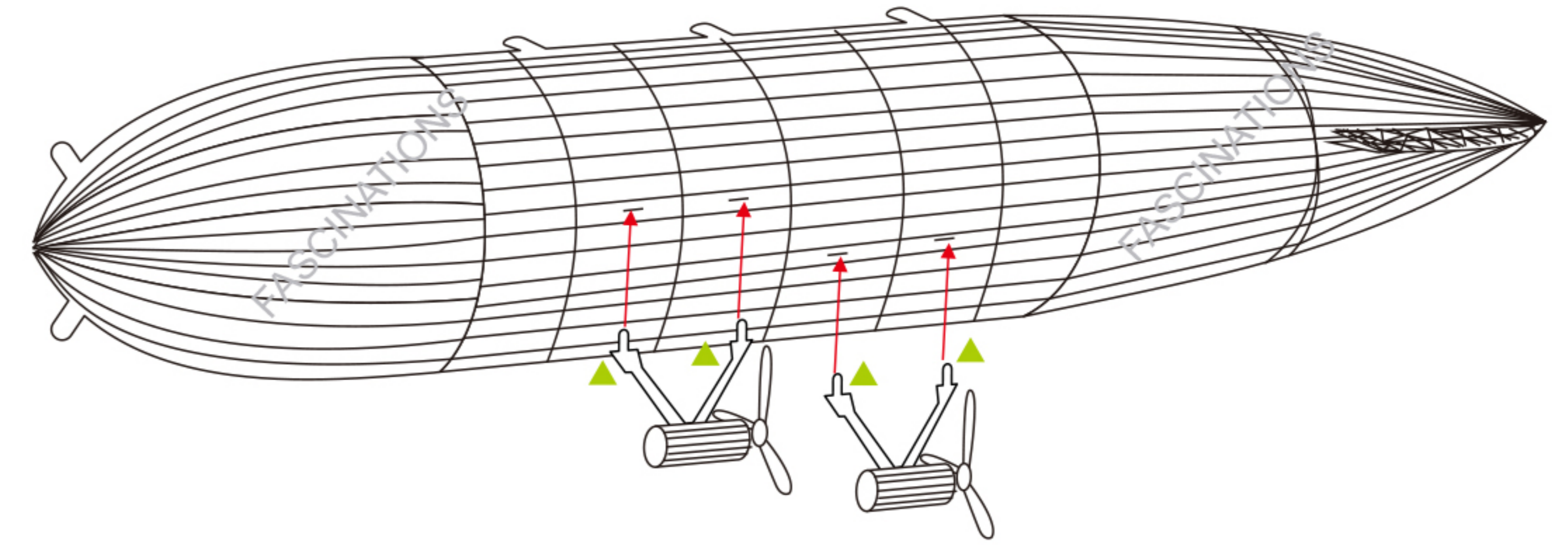
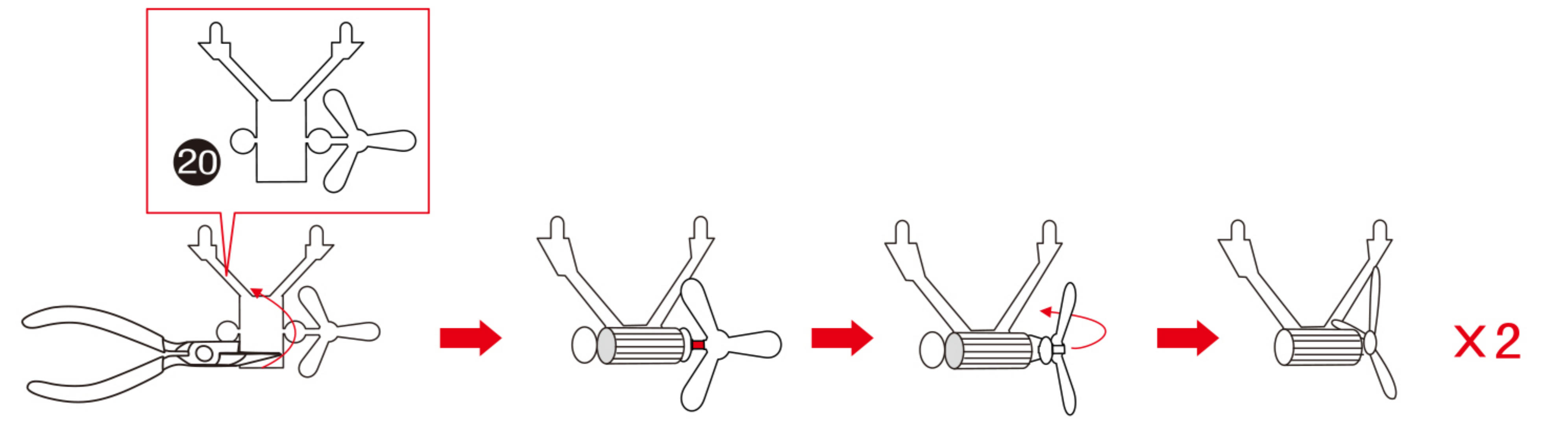
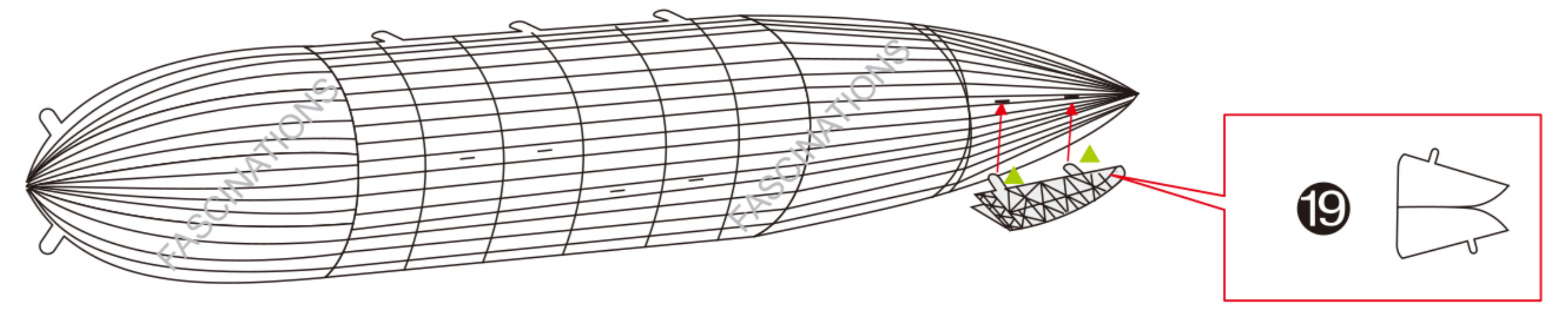
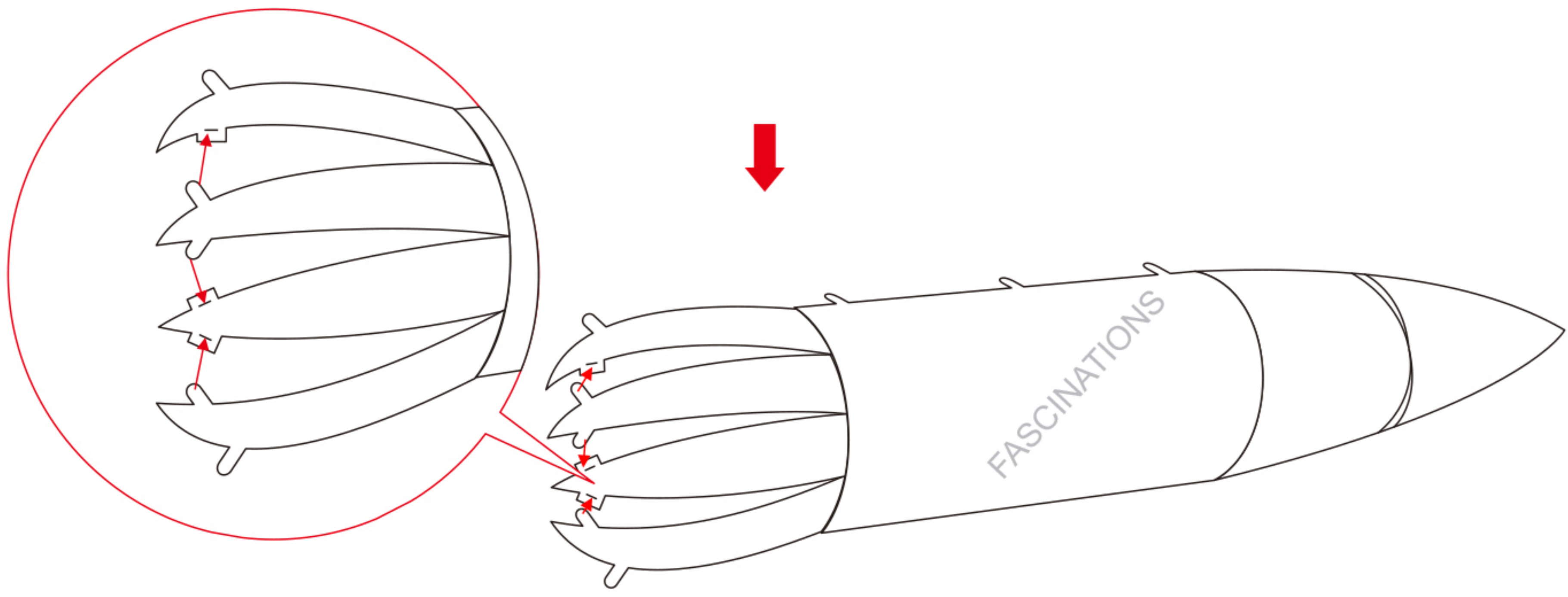
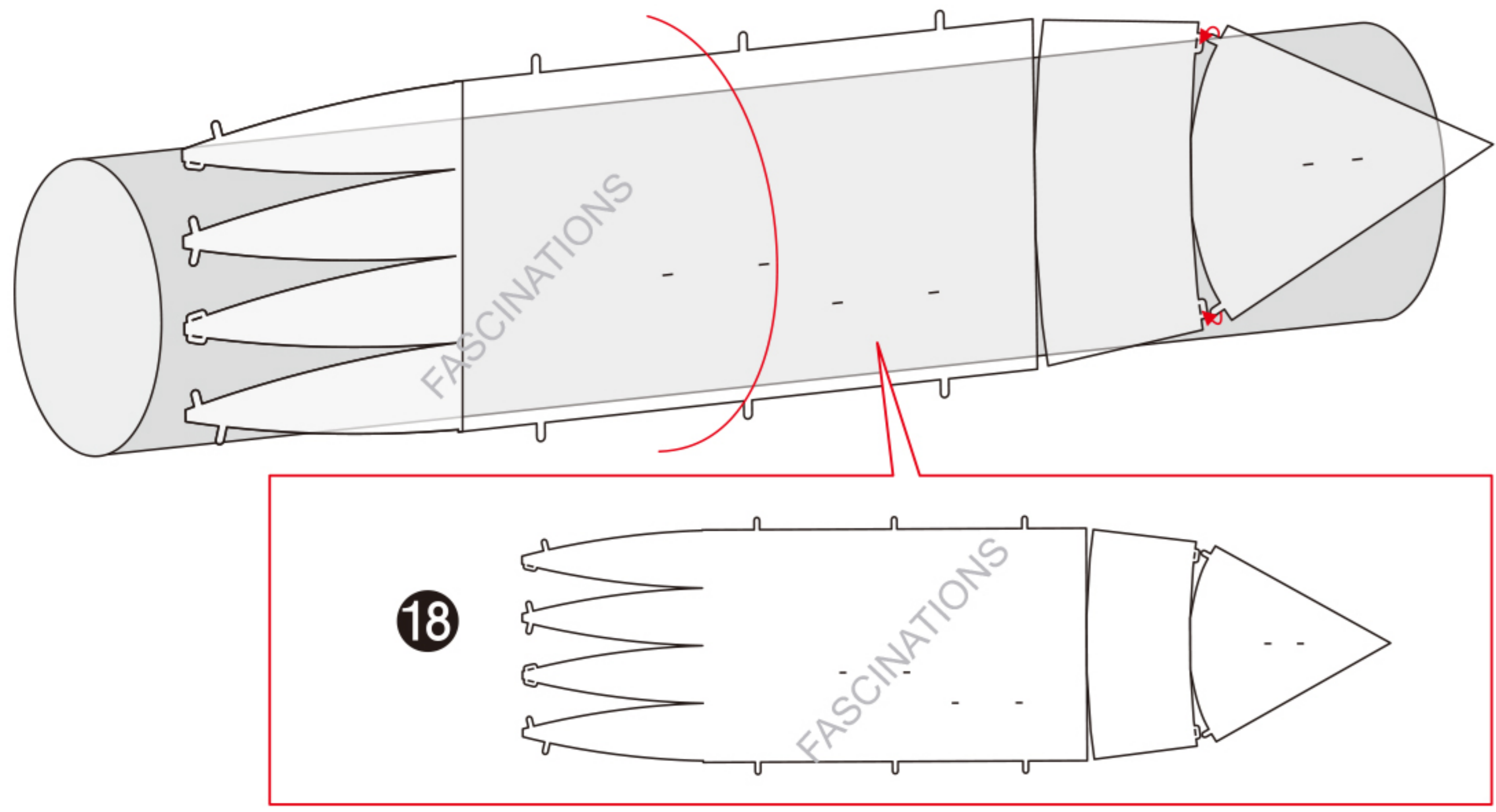
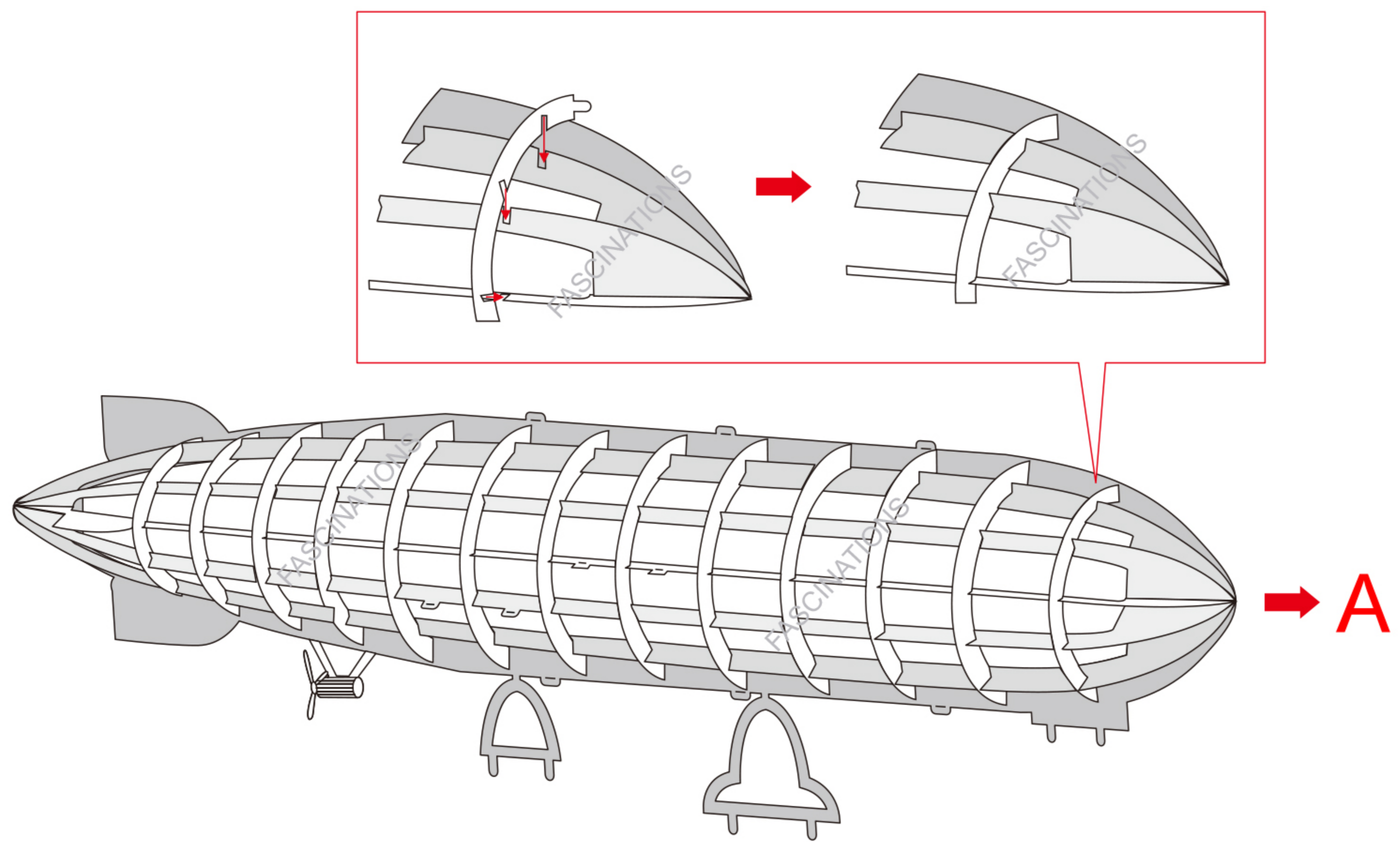
**Assembly tip:**  
If needed, slightly twist tabs to hold parts together then un twist and bend them down for a nice finish

Metal sheets



In order to avoid possible injury from sharp edges, please carefully discard the metal sheet after parts have been removed





B

