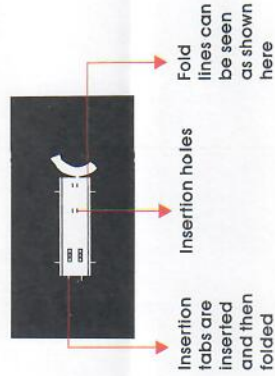
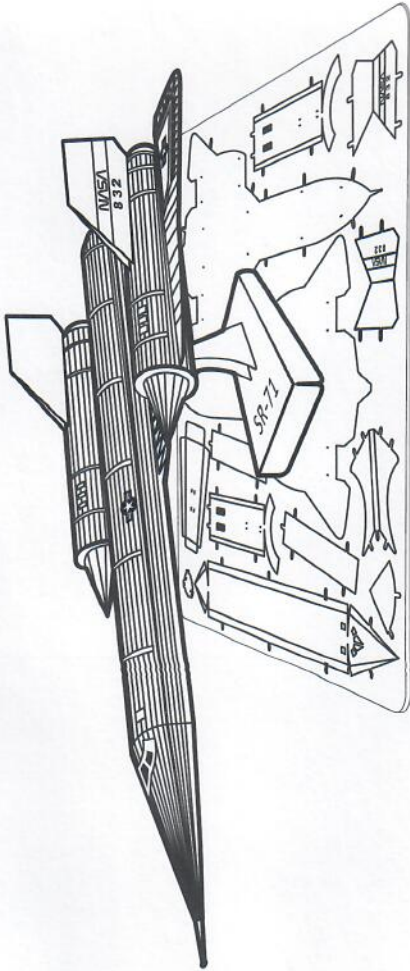
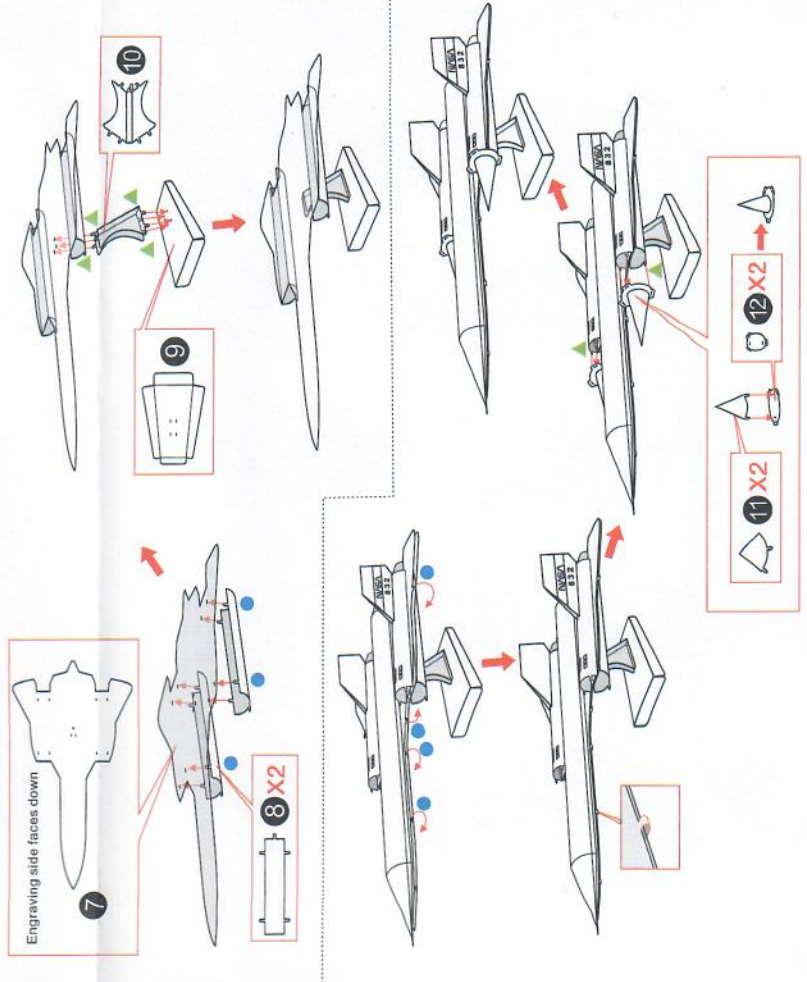
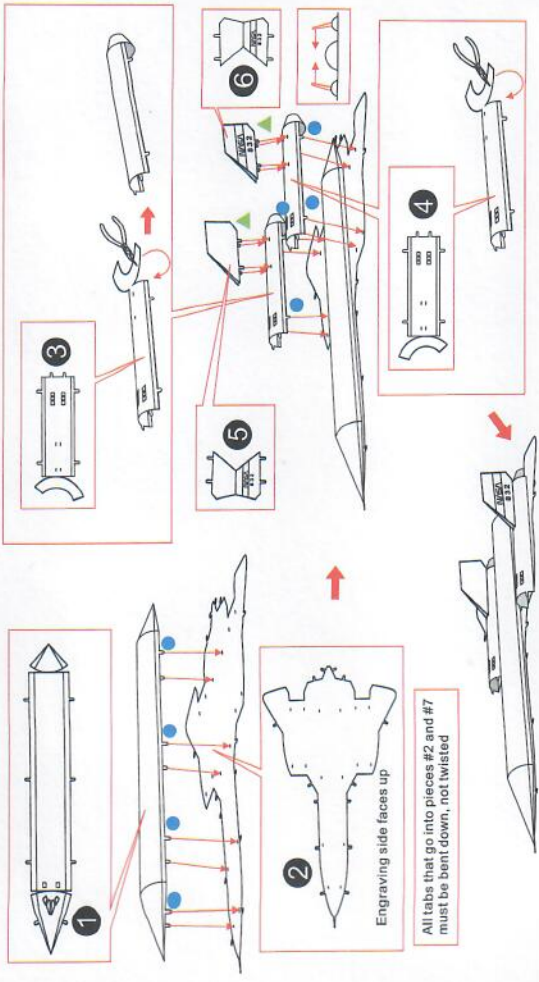
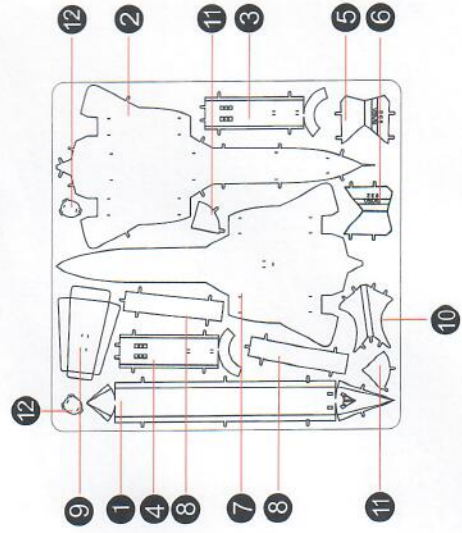


Assembly Flow Chart

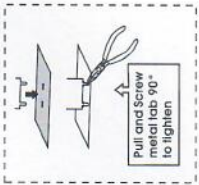


Metal sheet



To create the best connections

- Insert tab and bend 90 degrees for most visible areas
- ▲ Insert tab and twist 90 degrees is best in some areas to ensure a tight connection



⚠ In order to avoid possible injury from sharp edges, please carefully discard the metal sheet after parts have been removed