

3D METAL MODEL



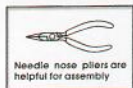
3DJS061



Insertion tabs are inserted and then folded

Insertion holes

Fold lines can be seen as shown here

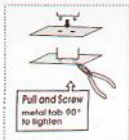


Needle-nose pliers are helpful for assembly

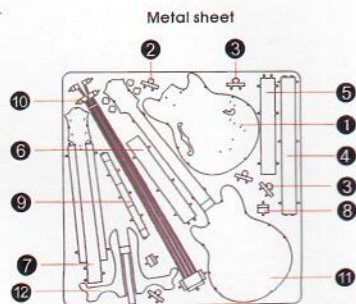
To create the best connections

● Insert tab and bend 90 degrees for most visible areas

▲ Insert tab and twist 90 degrees is best in some areas to ensure a tight connection



Pull and Screw metal tab 90° to tighten



⚠ In order to avoid possible injury from sharp edges, please carefully discard the metal sheet after parts have been removed

Assembly Flow Chart

