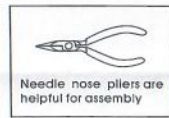
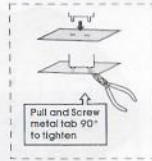


Insertion tabs are inserted and then folded
 Fold lines can be seen as shown here
 Insertion holes

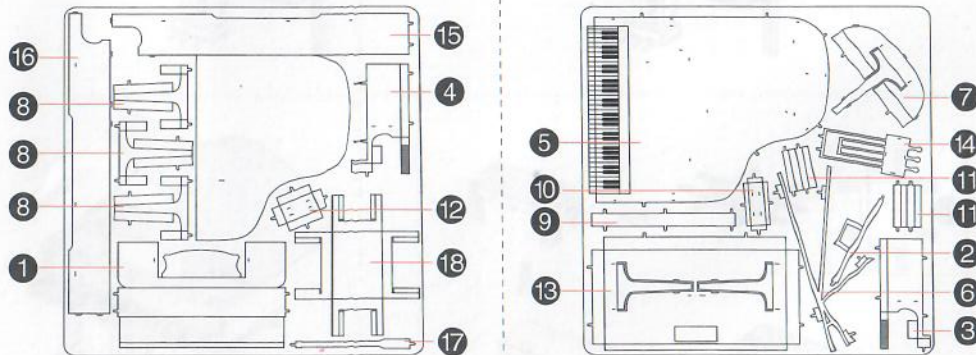


To create the best connections

- Insert tab and bend 90 degrees for most visible areas
- ▲ Insert tab and twist 90 degrees is best in some areas to ensure a tight connection



Metal sheets



In order to avoid possible injury from sharp edges, please carefully discard the metal sheet after parts have been removed

Assembly Flow Chart

