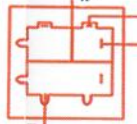




keep out of reach of children. 请放置于幼童接触不到的地方。
 warning, small parts. 请留意细小部件。
 pay attention to sharp edges when removing pieces from the metal sheet.
 取下零件是, 请注意边缘的锐点, 避免刮伤
 carefully discard the metal sheet after parts have been removed. 零件取下后, 小心处置剩余金属片。

Insertion tab
插头



To create the nest connections
建立稳固的连接方法
fold line
弯折线
Insert tab and bend 90 degrees for most visible areas
插头穿过插孔后, 将插头最大限度地拉出, 并平折成90度角。

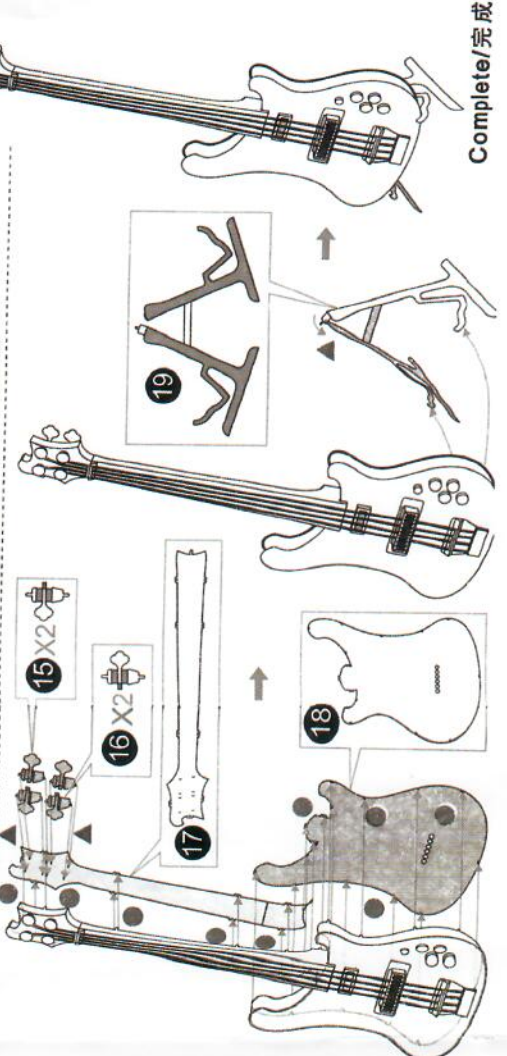
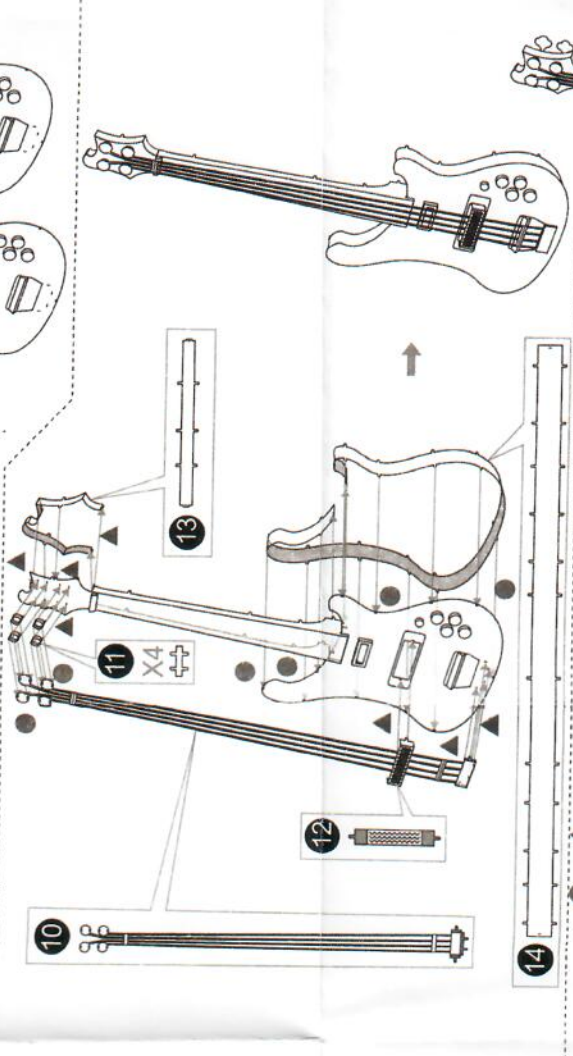
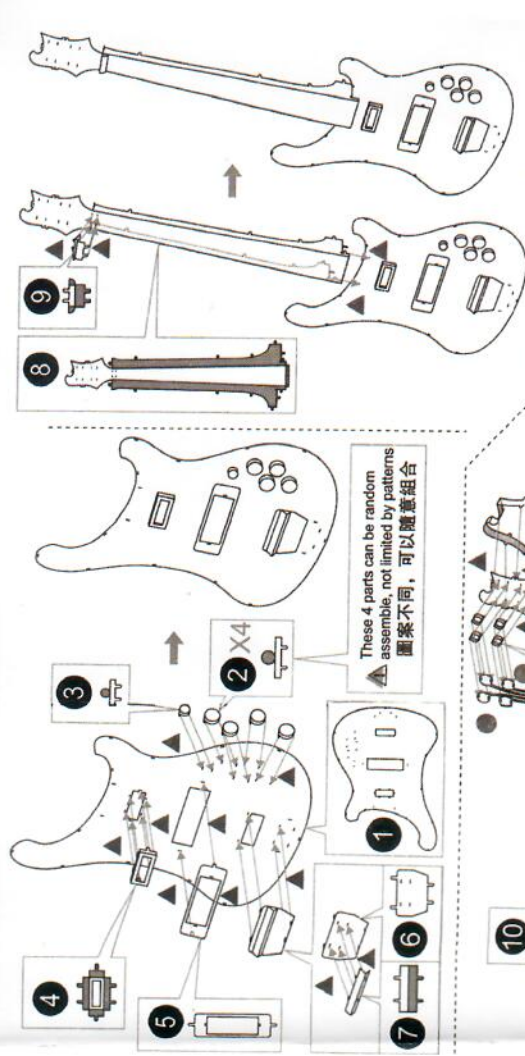
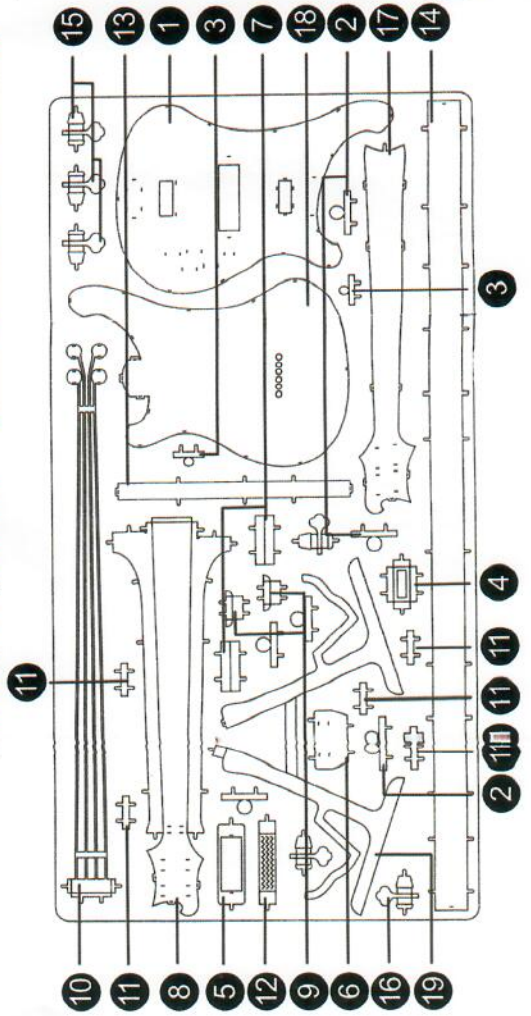


Auxiliary assembled with the long nose pliers or scissors
用尖嘴钳或剪刀辅助拼装

pull and screw metal tab 90° to tighten
拖出锁头并扭转锁紧



In sert tab and twist 90degrees is best in some areas to ensur a tight connection.



Complete/完成