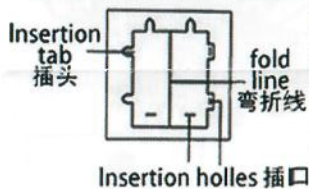
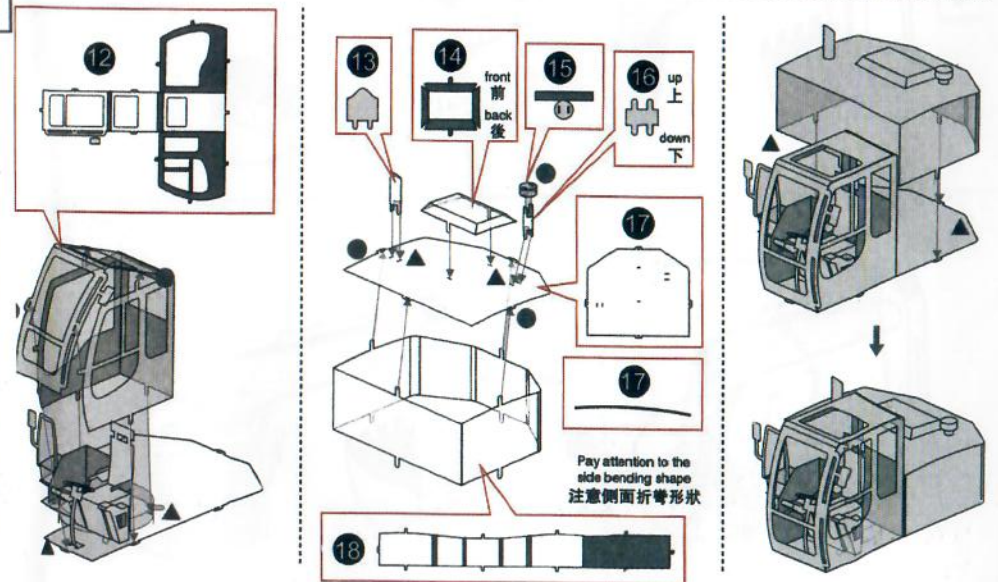
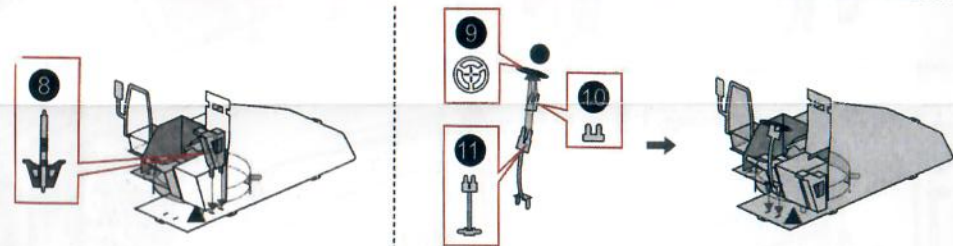
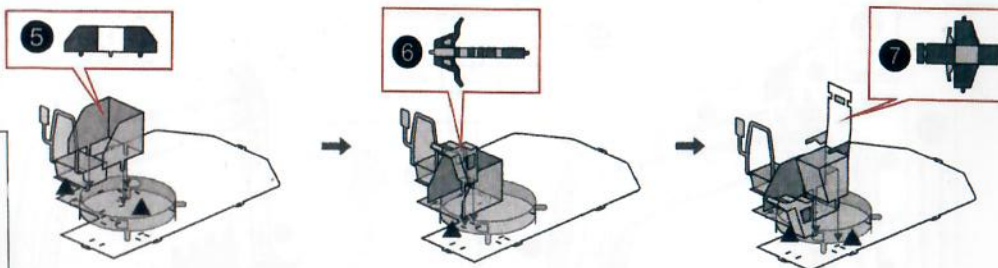
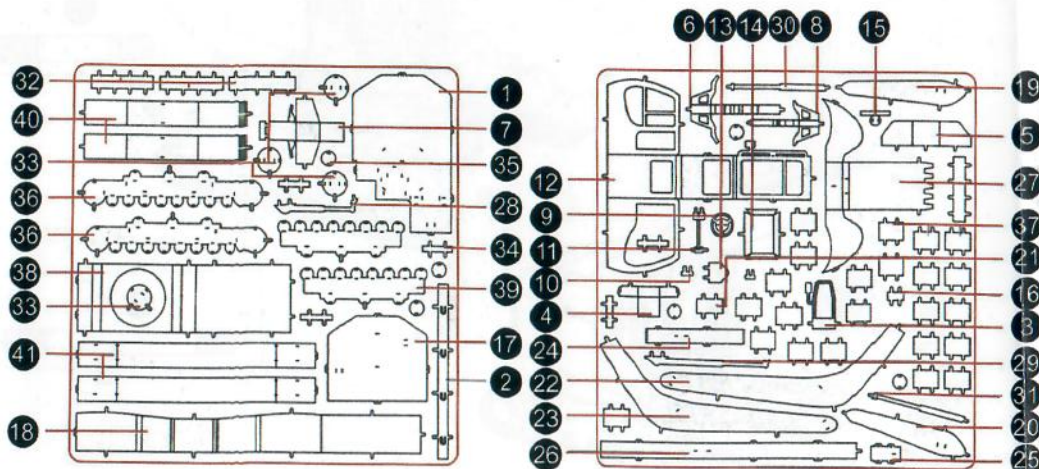
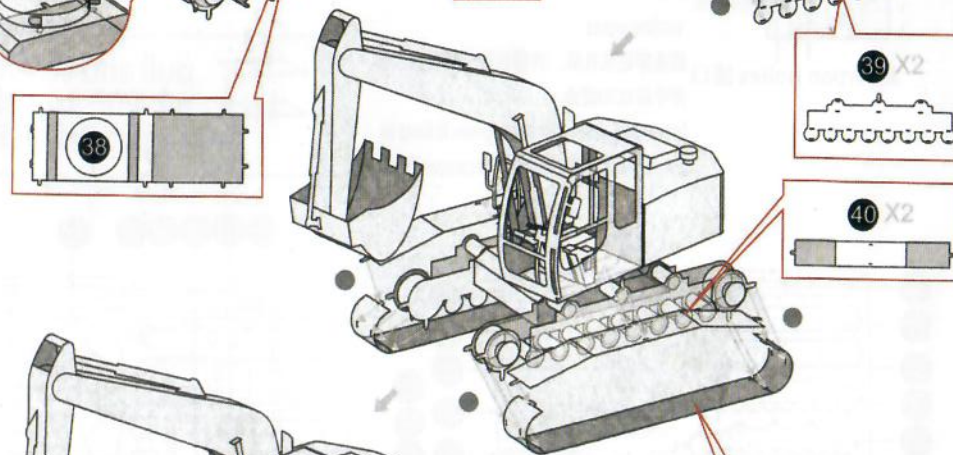
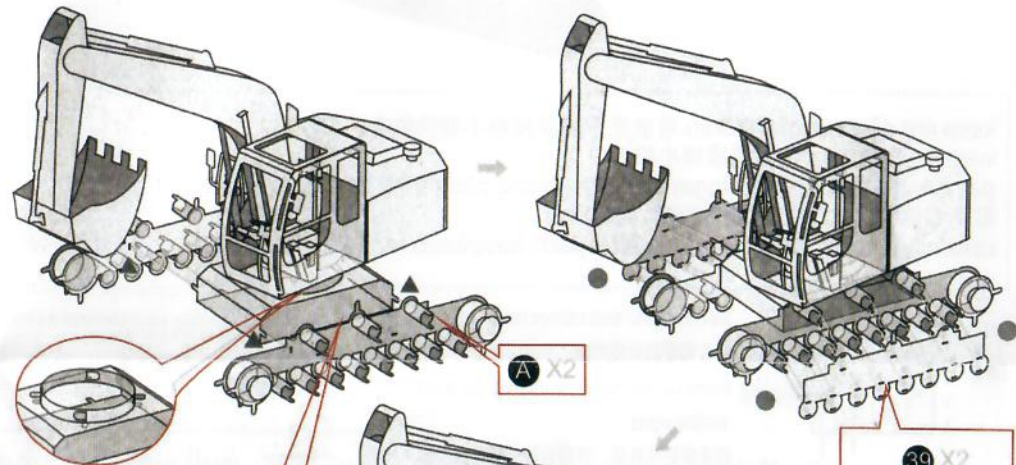
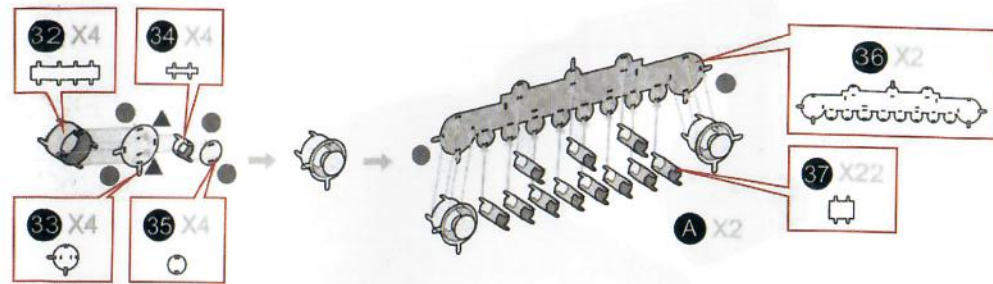
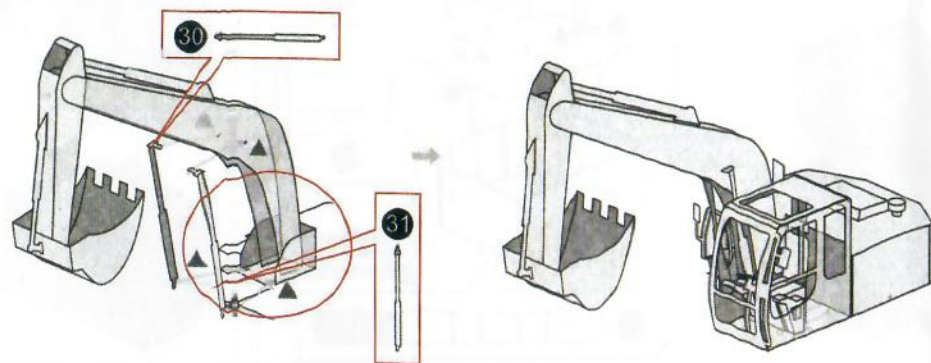
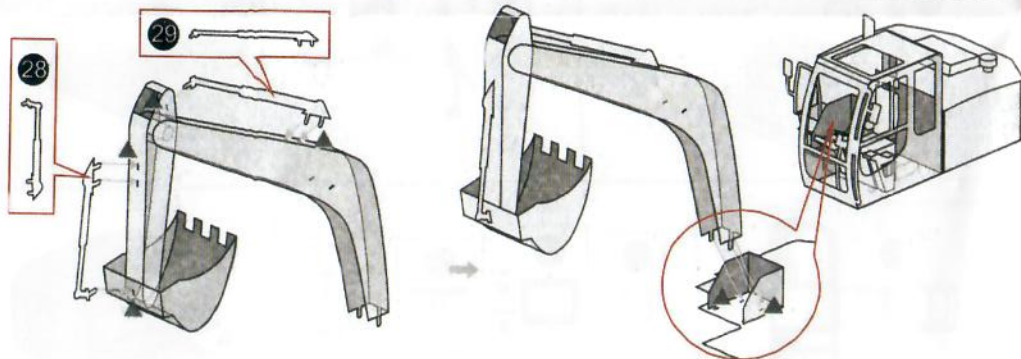
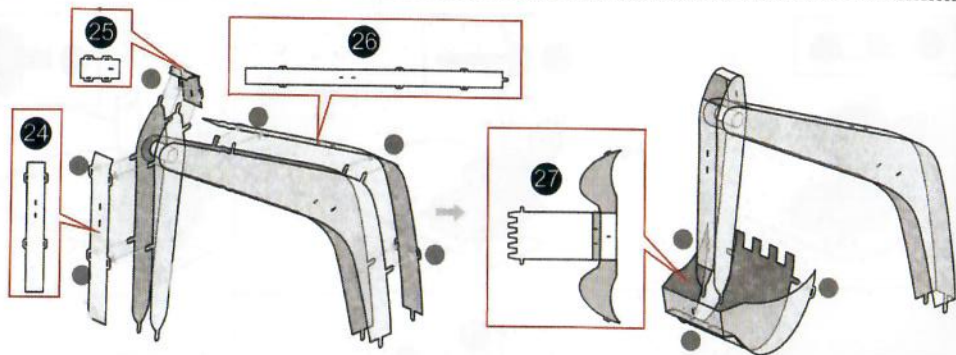
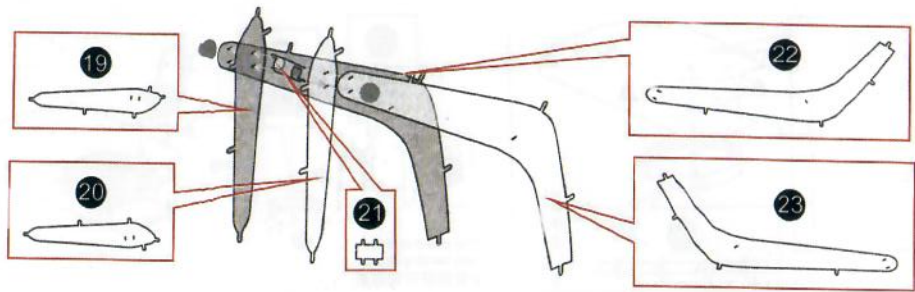


keep out of reach of children.请放置于幼童接触不到的地方。
 warning,small parts.请留意细小部件。
 pay attention to sharp edges when removing pieces from the metal sheet.
 取下零件是, 请注意边缘的锐点, 避免刮伤
 carefully discard the metal sheet after parts have been removed.零件取下后, 小心处置剩余金属片。



To create the nest connections
 建立稳固的连接方法
 Insert tab and bend 90 degrees for most visible areas
 插头穿过插孔后, 将插头最大限度地拉出, 并平折成90度角。
 Insert tab and twist 90 degrees is best in some areas to ensure a tight connection.





Complete/完成